

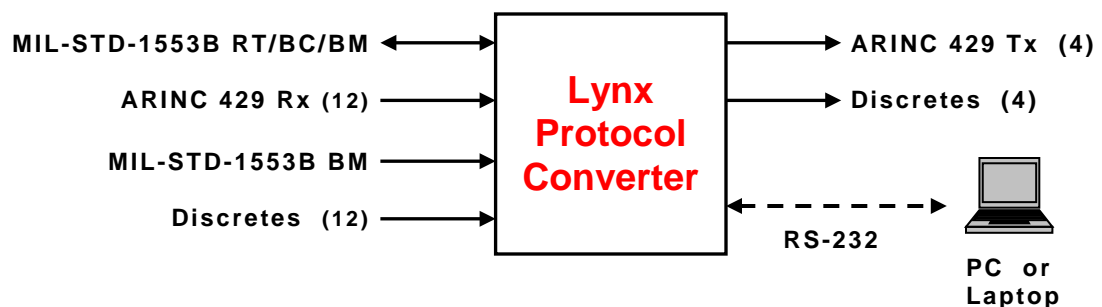
Lynx Series Protocol Converters

The **Lynx Series Protocol Converters** provide easy to configure, high-speed data conversion between MIL-STD-1553B and ARINC-429 Data Busses. The units can be customized by the user via a laptop computer connection, allowing the quick definition of MIL-STD-1553B sub-addresses and ARINC-429 labels for transfer.



FEATURES:

- 12 ARINC-429 Inputs (12.5 or 100 kbps)
- 4 ARINC-429 Outputs (12.5 or 100 kbps)
- 1 MIL-STD-1553B Dual-Redundant BM/RT/BC
- 1 MIL-STD-1553B Dual-Redundant BM
- 6 28V/Open Discrete Inputs
- 6 Open/Ground Discrete Inputs
- 2 28V/Open Discrete Outputs (May be used as Inputs)
- 2 Open/Ground Discrete Outputs (May be used as Inputs)
- 1 RS-232 Interface (only for Configuration via PC/Laptop)



TRANSFER FUNCTIONS:

- Any Input to 1553 Output
- Any Input to 429 Output
- Any Input to Discrete Out
- Timestamp Data Inputs
- Processing Supported:
 - Input / Output Scaling: Scale Factor + Offset
 - Comparison: Two Inputs or Input to Threshold
- Floating Point Inputs

SPECIFICATIONS:

- Power: +28VDC @ 10 Watts (MIL-STD-704, DO-160)
- Max. Current: 2A (Unit+Load)
- Temperature: -40°C to +55°C, Short Term +70°C
- Software: DO-178B Level C
- Environmental: DO-160D + Helicopt. Vib.
- Dimensions: 9.75" x 5.72" x 1.72"
- Weight: 2.2 lbs

Lynx Series Protocol Converters

Ordering Information

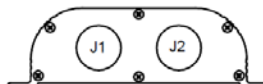
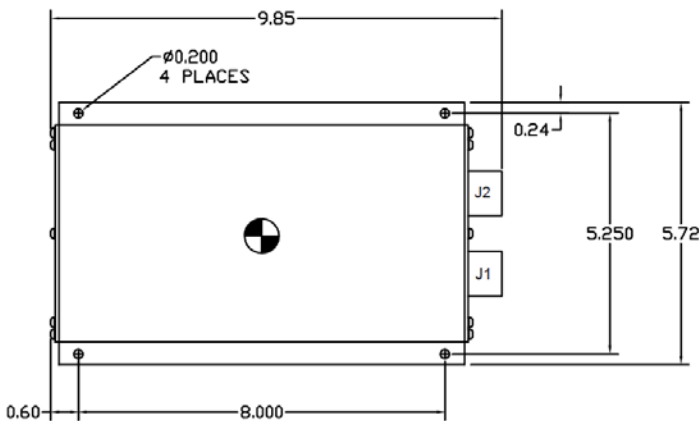
Select part number **PCU100-xx-yy-rr-t-ii-o** from the items below:

OPTION

- xx:** 00, BM, RT, BC 00 = None
 BMRT, BMBC, BM = Bus Monitor (All are Dual-Redundant, BMRTBC RT = Remote Terminal Transformer Coupled, BC = Bus Controller and on the J1 connector.)
- yy:** 00, BM 00=None, (Dual-Redundant, BM=Bus Monitor, Transformer Coupled, J2)
- rr:** 00, 06, 12 None, 6 or 12 ARINC-429 Receivers (J1 or J1+J2)
- t:** 0, 2, 4 None, 2 or 4 ARINC-429 Transmitters (J1 or J1+J2)
- ii:** 00, 06, 12 00=None
 06= 3 Open/Gnd and 3 28V/Open Input Discretes (J1)
 12= 6 Open/Gnd and 6 28V/Open Input Discrete (J1+J2)
- o:** 0, 2, 4 None, 2 or 4 Output Discretes (J1 or J1+J2)

Example: **PCU100-BMRT-00-06-2-12-4** =

- 1553B Bus Monitor + Remote Terminal (on J1),
- No 1553B interface (on J2),
- 6 ARINC-429 Receivers (on J1),
- 2 ARINC-429 Transmitters (on J1),
- 12 Input Discretes (on J1 and J2),
- 4 Output Discretes (on J1 and J2)



Conn. J1 : MS27505E15B35P		Conn. J2 : MS27505E15B35PA	
Pin No.	Signal	Pin No.	Signal
1	1553-1-BusA+	1	1553-2-BusA+
2	1553-1-BusA-	2	1553-2-BusA-
3	429-1-TxB	3	429-3-TxB
4	429-1-TxA	4	429-3-TxA
5	RS-232C TXD	5	
6	RS-232C RTS	6	
7	429-2-TxB	7	429-4-TxB
8	429-2-TxA	8	429-4-TxA
9	1553-1-BusB+	9	1553-2-BusB+
10	1553-1-BusB-	10	1553-2-BusB-
11	DIS-IN-1-Open/Gnd	11	DIS-IN-4-Open/Gnd
12	Aircraft 28V Power	12	Aircraft 28V Power
13	DIS-IN-2-Open/Gnd	13	DIS-IN-5-Open/Gnd
14	RS-232C CTS	14	
15	RS-232C RXD	15	
16	429-1-RxA	16	429-7-RxA
17	429-1-RxB	17	429-7-RxB
18	429-2-RxA	18	429-8-RxA
19	429-2-RxB	19	429-8-RxB
20	429-3-RxA	20	429-9-RxA
21	429-3-RxB	21	429-9-RxB
22	429-4-RxA	22	429-10-RxA
23	429-4-RxB	23	429-10-RxB
24	DIS-OUT-1-Open/Gnd	24	DIS-OUT-2-Open/Gnd
25	DIS-IN-3-Open/Gnd	25	DIS-IN-6-Open/Gnd
26	Aircraft Power Return	26	Aircraft Power Return
27	DIS-IN-1-28V/Open	27	DIS-IN-4-28V/Open
28	429-5-RxA	28	429-11-RxA
29	429-5-RxB	29	429-11-RxB
30	429-6-RxA	30	429-12-RxA
31	429-6-RxB	31	429-12-RxB
32	DIS-OUT-1-28V/Open	32	DIS-OUT-2-28V/Open
33	DIS-IN-2-28V/Open	33	DIS-IN-5-28V/Open
34	Signal Gnd	34	Signal Gnd
35	DIS-IN-3-28V/Open	35	DIS-IN-6-28V/Open
36	Signal Gnd	36	Signal Gnd
37	Discrete Output Return	37	Discrete Output Return